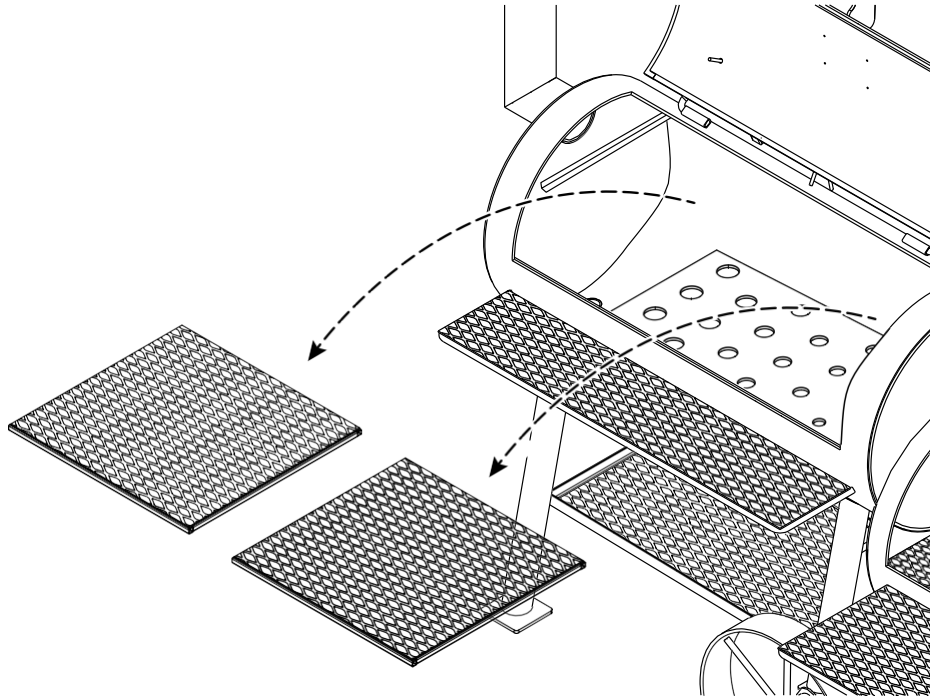


## Pre-Grill Checklist/Routine Maintenance

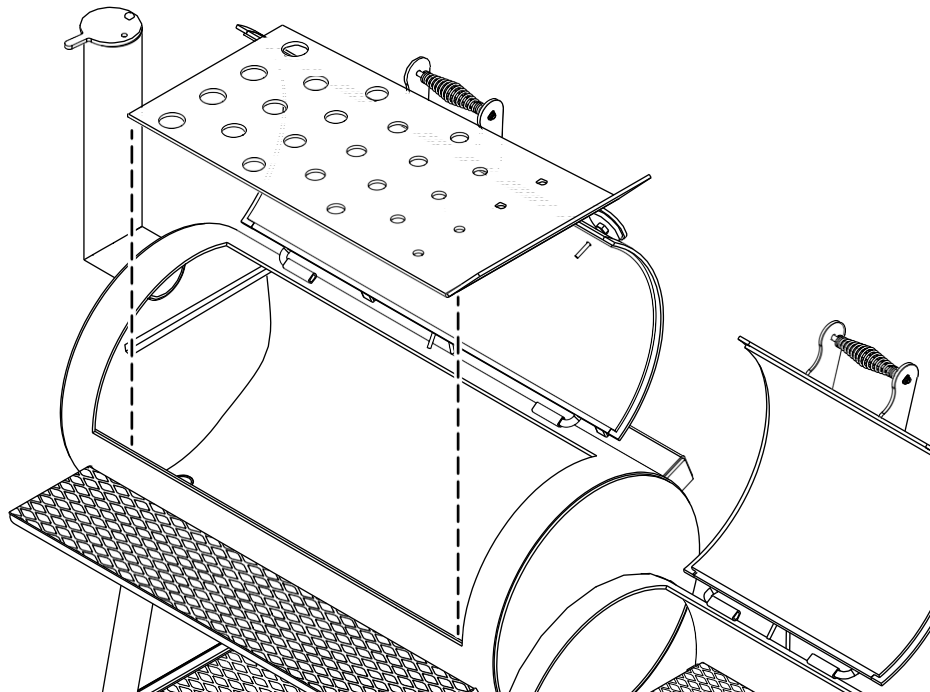
### Perform the following services when the grill is cool

1. Open the cooking chamber door and remove the cooking grates.



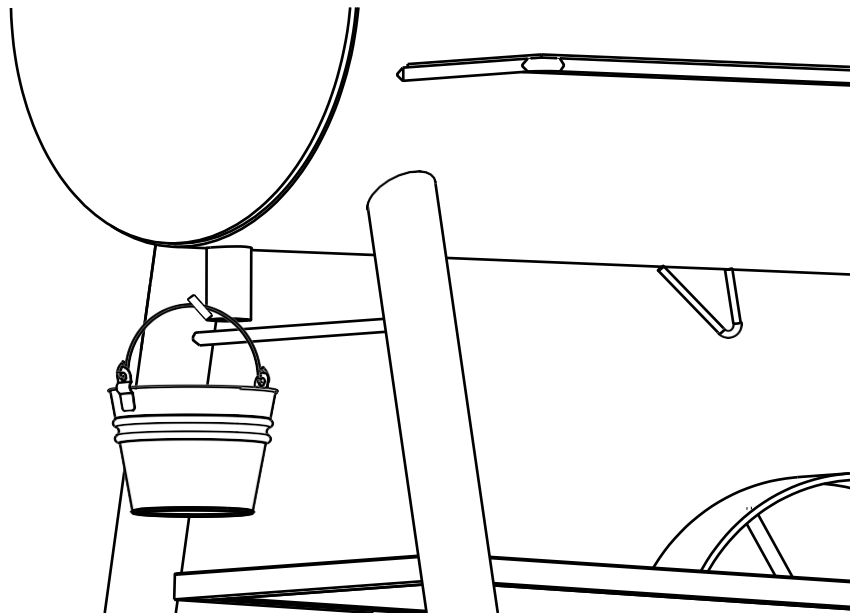
**FIG 1**

2. Remove the heat management plate if applicable.



**FIG 2**

3. Inspect the bottom of the cooking chamber for any grease build up and clean as needed. See page 16 for more details.
4. Install the heat management plate. See **FIG 2**.
5. Install cooking grates and optional second shelf See **FIG 1**.
6. Clean grease bucket as needed. See **FIG 3**.



**FIG 3**